

## BSD-IGS-016 Series Industrial Ethernet Switch

16\*10/100/1000Base-Tx

RoHS Compliant



### >>Description

The BSD-IGS-016 is a 16 port 10/100/1000Base-T Industrial Ethernet Switch. The BSD-IGS-016 features fan less heat dissipation circuit design, wide range of working environment temperature, high protection level, it supports high quality, high/low temperature resistance and lightning protection, which enhances the reliability and safety of industrial networks. It can meet the installation requirements of rail transit, safe city, intelligent transportation, outdoor monitoring and other harsh environments.

### >>Main Features

- ✓ Supports auto MDI/MDIX function
- ✓ Supports DIN-Rail and hang wall mounting
- ✓ Status LED for easy monitoring of device status
- ✓ Jumbo frame size of 10 Kbytes
- ✓ Support 16k MAC address
- ✓ Support dual power supply backup
- ✓ IP40 protection class



## >> Specifications

### Interface

- Y 16 x Ethernet port (RJ45) 10/100/1000Base-Tx

### Ethernet Port

- Y Available speed: force 10Mbps, force 100Mbps, force 1000Mbps and auto-detective 10/100/1000Mbps Full-Duplex and Half-Duplex auto-negotiation
- Y Connectors: RJ-45 Connector; MDI/MDI-X connection auto-sensing

### Standard

- Y IEEE802.3 (10Base-T)
- Y IEEE802.3u (100Base-TX/FX)
- Y IEEE802.3u (1000Base-TX/FX)
- Y IEEE802.3x (Flow control)

### Switch Properties

- Y MAC Table: 16K
- Y Switching Capacity 32G
- Y Packet forwarding rate: 23.8Mbit
- Y Switching Delay: <5 $\mu$ s
- Y Buffer 4M
- Y Jumbo Frame 10 Kbytes

### LED Indicators

- Y Power Status, Speed Status, TX Link/Act

### Power Requirement

- Y Input: 12VDC~48VDC
- Y Consumption: < 6W
- Y Reverse Connection Protection: Support
- Y Redundancy Protection: Support
- Y Dual Power: Support

### Physical Characteristics

- Y Housing: Metal enclosure
- Y Protection Class: IP40
- Y Dimensions: 143 x 104 x 48mm
- Y Weight: 0.8kg
- Y Installation: DIN-Rail or Panel mounting

### Environmental Limits

- Y Operating Temperature: -40°C to 85°C
- Y Storage Temperature: -40°C to 85°C
- Y Operating Humidity: 10% to 95% RH (non-condensing)
- Y Storage Humidity: 5% to 95% RH (non-condensing)
- Y Fan Less
- Y MBF 100,000

### Agency Approvals

- Y FCC Part 15 of Class A & CE approved

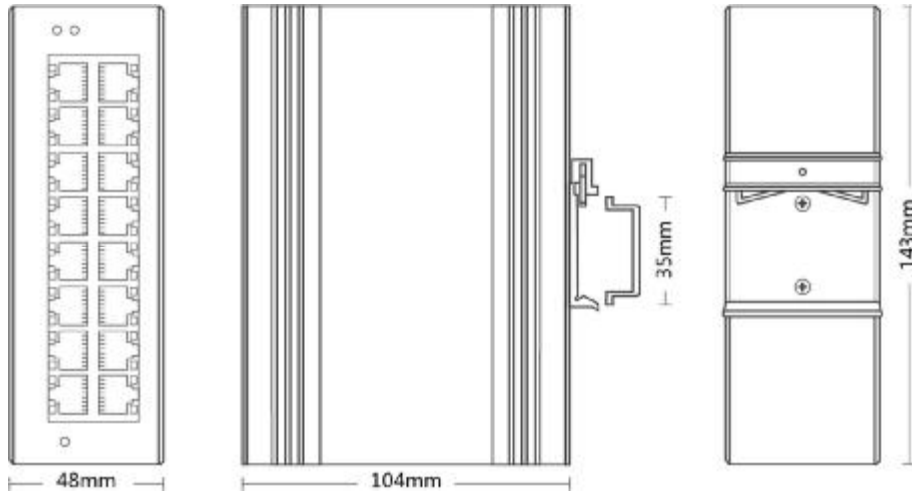
### Industrial Standard

- Y EMI: FCC/CE/LVD/EMC
- Y EMS:
  - IEC61000-4-2 (ESD):  $\pm$ 8kV (contact),  $\pm$ 15kV (air)
  - IEC61000-4-3 (RS): 10V/m (80MHz-2GHz)
  - IEC61000-4-4 (EFT): Power Port:  $\pm$ 4kV; Data Port:  $\pm$ 2kV
  - IEC61000-4-5 (Surge): Power Port:  $\pm$ 2kV/DM,  $\pm$ 4kV/CM; Data Port:  $\pm$ 2kV
  - IEC61000-4-6 (CS): 3V (10kHz-150kHz); 10V (150kHz-80MHz)
  - IEC61000-4-16 (Common mode conduction): 30V (cont.), 300V (1s)
- Y Shock: IEC 60068-2-27
- Y Free Fall: IEC 60068-2-32
- Y Vibration: IEC 60068-2-6

### Warranty

- Y 5 years

## >> Mechanical Drawing



## >> Ordering Information

BSD-IGS-016

16\*10/100/1000Base-Tx, Industrial, DIN-Rail