

## BSD-IES0208GSFP Series

**10-port Unmanaged Industrial Ethernet Switch, with 2-port 1000Base-X SFP Slot and 8-port 10/100Base-T(X)**

### Features



- nSupport 2 1000Base-X SFP slot and 8 10/100Base-T(X) Ethernet ports.
- nSupport IEEE802.3, IEEE802.3u, IEEE802.3x.
- nPlug-and-play, 10/100Base-T(X), F/H duplex, MDI/MDI-X auto negotiation.
- nIndustrial chip design, 15kV ESD protection, 8kV surge protection.
- nDC10-58V redundancy power, Reverse polarity protection.
- nIndustrial grade 4 design, -40-85° C operating temperature.
- nIP40 Rated Aluminum Alloy Housing, DIN-Rail mounted.

### Introduction

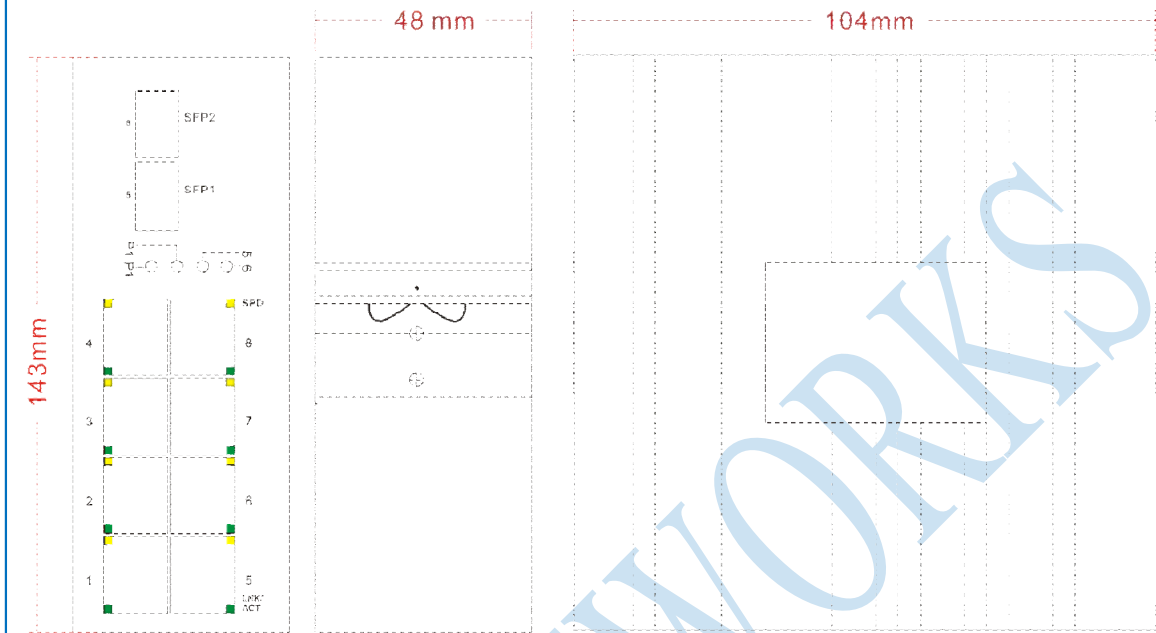
BSD-IES0208GSFP is a plug-and-play unmanaged industrial Ethernet switch, which can provide economical solution for your Ethernet. Its dustproof fully sealed structure (IP40 protection grade), over-current, over-voltage and EMC protected, redundant double power input as well as built-in intelligent alarm design can help system main tenancy personnel monitor the network operation, which can work reliably in harsh and dangerous environment.

BSD-IES0208GSFP supports 2-port 1000Base-X SFP slot and 8-port 10/100Base-T(X), Full/Half duplex mode, and auto MDI/MDI-X connection. It supports CE, FCC, RoHS standard, rugged high-strength metal case, power supply input (DC10-58V). The switch support IEEE802.3, IEEE802.3u, IEEE802.3x with 10/100Base-T(X), full/half-duplex, and MDI/MDI-X auto-sensing, the -40~85°C working temperature, can meet all kinds of Industrial environment requirement, providing reliable and economic solution for your industrial Ethernet network.

## Specification

<b>Protocol Standard</b>	IEEE802.3, IEEE802.3u, IEEE802.3x
<b>Flow Control</b>	IEEE802.3x flow control, back press flow control
<b>Exchange Attribute</b>	Forwarding Rate: 4.16Mpps Transmission Mode: Store and Forward Packet Buffer Size: 1M Backplane Bandwidth: 5.6Gbps MAC Table Size: 8K Delay Time: < 4μs
<b>Ethernet Port</b>	10/100Base-T(X) auto speed control, Half/full duplex and MDI/MDI-X auto detect
<b>Fiber Port</b>	1000Base-X SFP Slot
<b>LED Indicator</b>	Power Indicator: PWR Port Indicator: LINK / ACT
<b>Power Supply</b>	Input Voltage: DC10-58V Connector: 6 bit 5.08mm Removable terminal block Full Load: <5W Protection Mechanism: Overload Protection / Reverse Connection Protection / Redundancy Protection
<b>Mechanical Structure</b>	Casing: Aluminum-alloy Case IP Grade: IP40 protection Dimension: 143*104*48mm( L*W*H ) Weight: 550g Installation: DIN-rail mounting, wall mounting
<b>Working Environment</b>	Operating Temperature: -40 to 85°C Storage Temperature: -40 to 85°C Ambient Relative Humidity: 5% to 95% (non-condensing)
<b>Industry Standards</b>	EMI:FCC Part 15 Subpart B Class A, EN 55022 Class A EMS:EN61000-4-2 (ESD), Level 4 at 15kV(Air), 8kV(Contact) EN61000-4-3 (R/S), Level 3 at 10V/m EN61000-4-4 (EFT), Level 4 at 4kV(Power Port), 2kV(Date Port) EN61000-4-5 (Surge), Level 4 at 4kV EN61000-4-6 (CS), Level 3 at 10V/m EN61000-4-8, Level 5 at 100A/m Shock:IEC 60068-2-27 Free Fall:IEC 60068-2-32 Vibration:IEC 60068-2-6
<b>Certification</b>	CE, FCC, RoHS
<b>MTBF</b>	>100,000 Hours
<b>Warranty</b>	5-years

### Dimension



### Order Information

Model No.	Description of Goods
BSD-IES0208GSFP	Unmanaged Industrial Ethernet Switch, 2 1000Base-X SFP Slot and 8 10/100Base-T(X), DIN-Rail, DC10-58V, -40-85° C Operating Temperature
<b>Power Supply:</b> DC24V DIN-Rail Power Supply or Power Adapter is Optional.	

BSD NETWORKS