

BSD-IPES-0208GSFP Series

10-port Unmanaged Industrial PoE Switch, with 2-port 1000Base-F(x) and 8-port 10/100Base-T(x) PoE

Features



- Support 8 10/100Base-TX PoE port and 2 1000Base-X SFP slot.
- Support IEEE802.3, IEEE802.3u, IEEE802.3x, IEEE802.3af/at.
- Support IEEE802.3af, maximum 15.4W power supply.
- Support IEEE802.3at, maximum 30W power supply.
- Industrial lightning chip design, up to 8KV effective against lightning, avoiding electrostatic induction.
- DC48V power input, reverse connection protection.
- Industrial grade design, -40-85°C work temperature.
- IP40 protection grade, DIN rail mounted.

Introduction

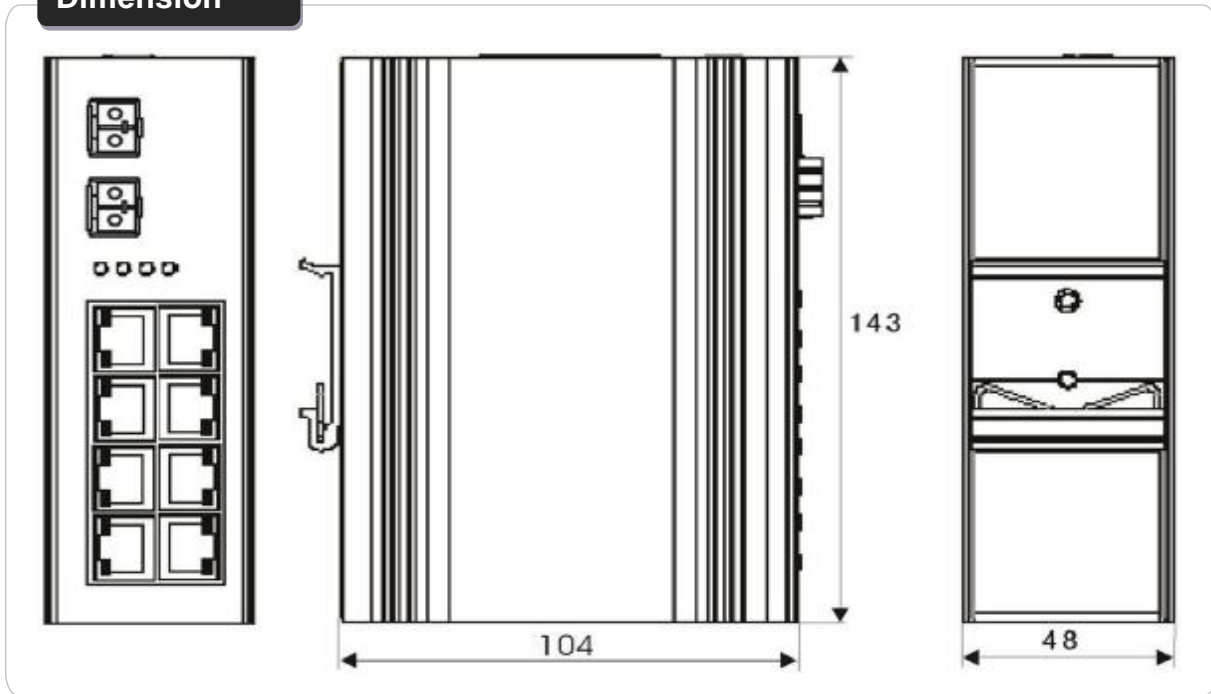
BSD-IPES-0208GSFP is an industrial unmanaged PoE switch. It supports 8 10/100Base-T(X) ports and 2 1000Base-X Fiber ports. The Ethernet ports support Power-over-Ethernet (PoE) function. The switches are classified as power source equipment (PSE), and when used in this way, the switches enable centralization of the power supply, providing up to 30 watts of power per port and reducing the effort needed for installing power. The switches can be used to power IEEE802.3af/at standard devices (PD), eliminating the need for additional wiring.

It supports CE, FCC, RoHS standards, adopts industry standard design, IP40 protection, rugged high-strength metal case, power supply input (48VDC). The switch supports IEEE802.3/ IEEE802.3u/ IEEE802.3x with 10/100M, full/half-duplex, and MDI/MDI-X auto-sensing, the -40 ~ 85°C working temperature, can meet all kinds of industrial environment requirements, providing reliable and economic solutions for your industrial Ethernet network.

Specification

Protocol Standard	Standard: Support IEEE802.3, IEEE802.3u, IEEE802.3x		
	Flow control: IEEE802.3x flow control, back press flow control		
	PoE Standard: IEEE802.3af/at		
Performance	Forwarding Rate: 4.16Mpps		
	Transmission Mode: Store and Forward		
	Cache Size: 1M		
	Backplane Bandwidth: 5.6Gbps		
	MAC: 8K		
	Delay Time: < 4μs		
Ethernet Port	10Base-T/100Base-TX Self-adaption, Half/full duplex and MDI/MDI-X auto detect		
Fiber Port	1000Base-X Fiber port		
PoE	Pin-out: 1/2(+), 3/6(-), IEEE802.3af max 15.4w, IEEE802.3at max 30w.		
Indicator	Power Indicator	PWR	
	Port Indicator	LINK / ACT	
Power Supply	Input Voltage	DC48V (DC10-58V)	
	Connector	6 bit 5.08mm Removable terminal block	
	No-load Consumption	<5W	
	Protection Mechanism	Overload Protection / Reverse Connection Protection / Redundancy Protection	
Mechanical	Casing: Aluminum-alloy Case		
	IP Grade: IP40 protection		
	Dimension: 143*104*48mm(L*W*H)		
	Weight: 700g		
	Installation: DIN-rail mounting, wall mounting		
Environmental	Operating Temperature: -40 to 85°C		
	Storage Temperature: -40 to 85°C		
	Ambient Relative Humidity: 5% to 95% (non-condensing)		
Certification	CE, FCC, RoHS		
Industry Standards	Safety	UL508	
	EMI	FCC CFR47 Part 15, EN55022/CISPR22, Class A	
	EMS	IEC61000-4-2(ESD) ±8kV(contact), ±15kV(air)	
		IEC61000-4-3(RS) 10V/m(80MHz-2GHz)	
		IEC61000-4-4(EFT) Power Port: ±4kV, Data Port: ±2kV	
		IEC61000-4-5(Surge) Power Port: ±2kV/DM, ±4kV/CM, Data Port: ±2kV	
	Machinery	IEC61000-4-6(CS) 3V(10kHz-150kHz), 10V(150kHz-80MHz)	
		IEC60068-2-6 (Vibration)	
		IEC60068-2-27 (Shock)	
	IEC60068-2-32 (Free Fall)		
Warranty	5-years		

Dimension



Order Information

Model No.	Description of Goods
BSD-IPES-0208GSFP	2*1000M SFP Slot + 8*10/100M PoE Port, DIN-Rail, DC48V
BSD-SFPGLC(SX)D	Multimode 550m SFP Module with DDM
BSD-SFPGLC(LX)D	Singlemode 1310nm 20km SFP Module with DDM