

BSD-IPES-0008T Series

8-port Unmanaged Industrial PoE Switch, with 8-port 10/100Base-T(x) PoE

Features



- nSupport 8 10/100Base-T(x) PoE ports.
- nSupport IEEE802.3, IEEE802.3u, IEEE802.3x, IEEE802.3af/at.
- nSupport IEEE802.3af, maximum 15.4W power supply.
- nSupport IEEE802.3at, maximum 30W power supply.
- nIndustrial lightning chip design, up to 8KV effective against lightning, avoiding electrostatic induction.
- nDC48V power input, reverse connection protection.
- nIndustrial grade design, -40-85°C work temperature.
- nIP40 protection grade, DIN rail mounted.

Introduction

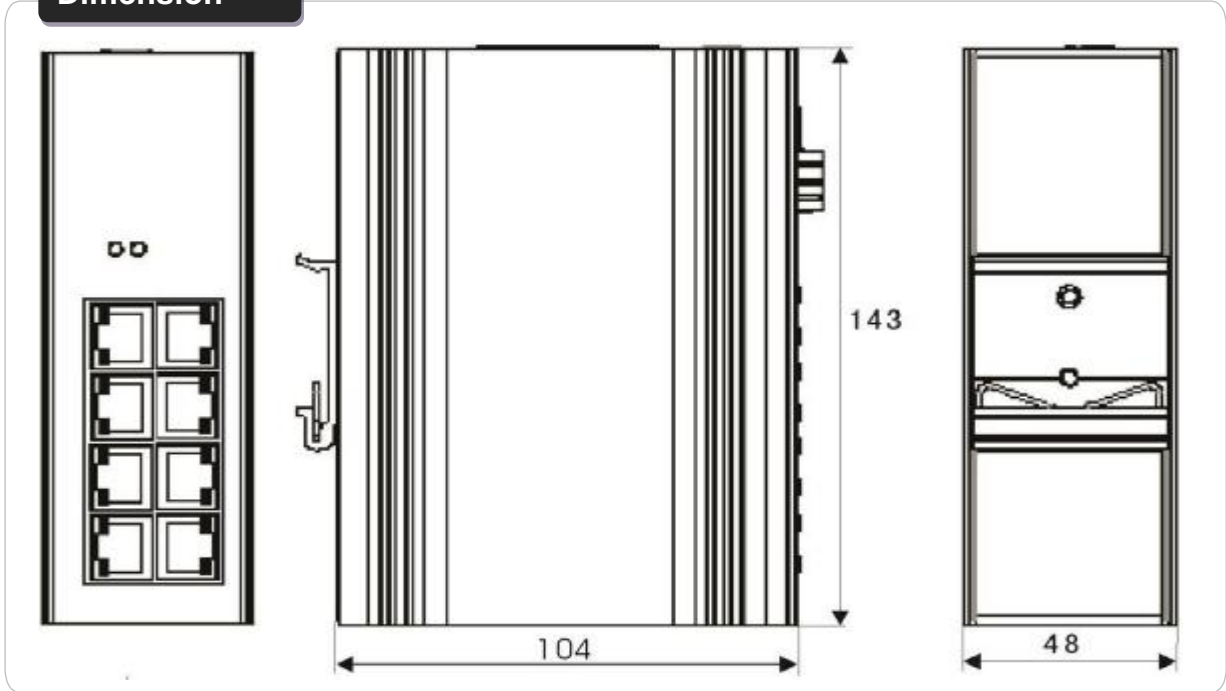
BSD-IPES-0008T is an industrial unmanaged and redundancy PoE switch. The switch provides 8 ports 10/100M Ethernet, which supports PoE function (IEEE802.3af/at). The switches are classified as power source equipment (PSE), and when used in this way, the switches enable centralization of the power supply, providing up to 30 watts of power per port and reducing the effort needed for installing power. The switches can be used to power IEEE802.3af/at standard devices (PD), eliminating the need for additional wiring.

It support CE, FCC, RoHS standard, adopt industry standard design, IP40 protection, rugged high-strength metal case, power supply input (48VDC). The switch support IEEE802.3/ IEEE802.3u/ IEEE802.3x with 10/100M, full/half-duplex, and MDI/MDI-X auto-sensing, the -40 ~ 85°C working temperature, can meet all kinds of Industrial environment requirement, providing reliable and economic solution for your industrial Ethernet network.

Specification

| | | | |
|-----------------------------|--|---|--|
| Protocol Standard | Standard: Support IEEE802.3, IEEE802.3u, IEEE802.3x | | |
| | Flow control: IEEE802.3x flow control, back press flow control | | |
| | PoE Standard: IEEE802.3af/at | | |
| Performance | Forwarding Rate: 1.19Mpps | | |
| | Transmission Mode: Store and Forward | | |
| | Cache Size: 512K | | |
| | System Exchange Bandwidth: 1.6Gbps | | |
| | MAC: 1K | | |
| Delay Time: < 3μs | | | |
| Ethernet Port | 10Base-T/100Base-TX auto speed control, Half/full duplex and MDI/MDI-X auto detect | | |
| PoE | Pin-out: 1/2(+), 3/6(-), IEEE802.3af max 15.4w, IEEE802.3at max 30w. | | |
| Indicator | Power Indicator | P1, P2 | |
| | Port Indicator | LINK / ACT | |
| Power Supply | Input Voltage | DC48V (DC10-58V) | |
| | Connector | 6 bit 5.08mm Removable terminal block | |
| | No-load Consumption | <5W | |
| | Protection Mechanism | Overload Protection / Reverse Connection Protection / Redundancy Protection | |
| Mechanical | Casing: Aluminum-alloy Case | | |
| | IP Grade: IP40 protection | | |
| | Dimension: 143*104*48mm(L*W*H) | | |
| | Weight: 700g | | |
| | Installation: DIN-rail mounting, wall mounting | | |
| Environmental | Operating Temperature: -40 to 85°C | | |
| | Storage Temperature: -40 to 85°C | | |
| | Ambient Relative Humidity: 5% to 95% (non-condensing) | | |
| Certification | CE, FCC, RoHS | | |
| Industry Standards | Safety | UL508 | |
| | EMI | FCC CFR47 Part 15, EN55022/CISPR22, Class A | |
| | EMS | IEC61000-4-2(ESD) ±8kV(contact), ±15kV(air) | |
| | | IEC61000-4-3(RS) 10V/m(80MHz-2GHz) | |
| | | IEC61000-4-4(EFT) Power Port: ±4kV, Data Port: ±2kV | |
| | | IEC61000-4-5(Surge) Power Port: ±2kV/DM, ±4kV/CM, Data Port: ±2kV | |
| | Machinery | IEC61000-4-6(CS) 3V(10kHz-150kHz), 10V(150kHz-80MHz) | |
| | | IEC60068-2-6 (Vibration) | |
| | | IEC60068-2-27 (Shock) | |
| IEC60068-2-32 (Free Fall) | | | |
| Warranty | 5-years | | |

Dimension



Order Information

| Model No. | Description of Goods |
|----------------|-------------------------------------|
| BSD-IPES-0008T | 8*10/100M PoE Port, DIN-Rail, DC48V |