

## BSD-IGS0104 Series

5-port Unmanaged Industrial Ethernet Switch, with 1-port 1000Base-F(x) and 4-port 10/100/1000Base-T(x)

### Features



- Support 1 1000Base-F(x) and 4 10/100/1000Base-T(x) Ethernet ports.
- Support IEEE802.3, IEEE802.3u, IEEE802.3x.
- Plug-and-play, 10/100/1000M, F/H duplex, MDI/MDI-X auto negotiation.
- Industrial lightning chip design, up to 8KV effective against lightning, avoiding electrostatic induction.
- Redundant 10-58VDC power input, reverse connection protection.
- Industrial grade design, -40-85°C work temperature.
- IP40 protection grade, DIN rail mounted.

### Introduction

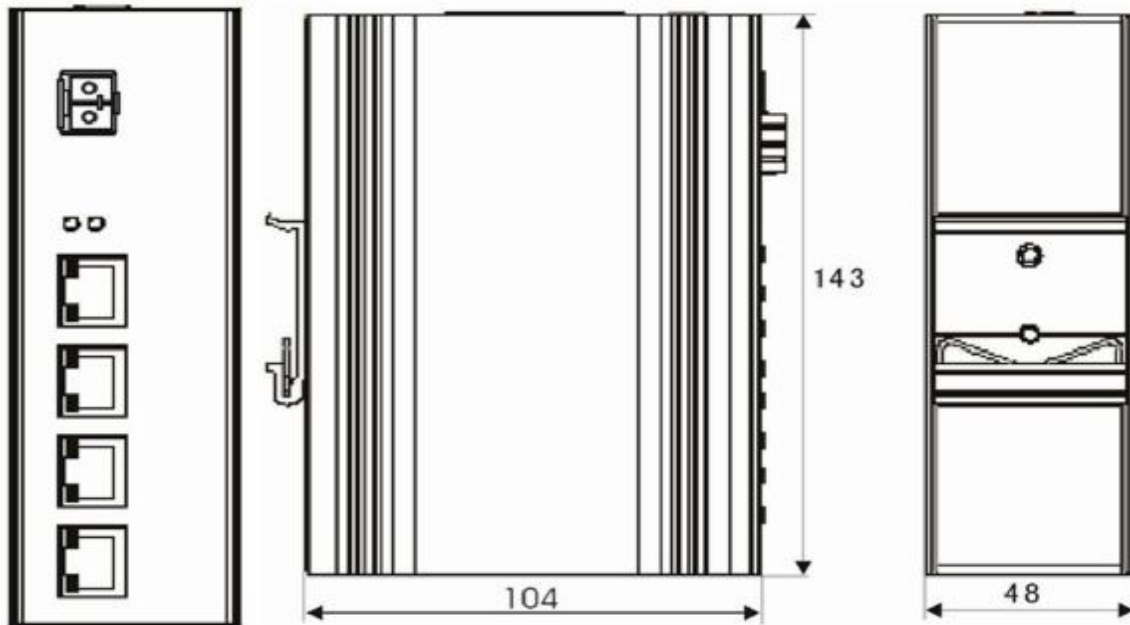
BSD-IGS0104 series are a smart plug-and-play industrial Ethernet switch, which can provide economical solution for your Ethernet. Its dustproof fully sealed structure (IP40 protection grade), over-current, over-voltage and EMC protected, redundant double power input as well as built-in intelligent alarm design can help system main tenancy personnel monitor the network operation, which can work reliably in harsh and dangerous environment.

BSD-IGS0104 supports 1 port 1000Base-F(x) and 4 port 10/100/1000Base-T(X), Full/Half duplex mode, and auto MDI/MDI-X connection. It support CE, FCC, RoHS standard, rugged high-strength metal case, power supply input (10-58VDC). The switch support IEEE802.3/ IEEE802.3u/ IEEE802.3x with 10/100/1000M, full/half-duplex, and MDI/MDI-X auto-sensing, the -40~85°C working temperature, can meet all kinds of Industrial environment requirement, providing reliable and economic solution for your industrial Ethernet network.

## Specification

|                             |   |   |  |
|-----------------------------|---|---|--|
| <b>Protocol Standard</b>    | Standard: Support IEEE802.3, IEEE802.3u, IEEE802.3x                                       |   |  |
|                             | Flow control: IEEE802.3x flow control, back press flow control                            |   |  |
| <b>Performance</b>          | Forwarding Rate: 7.44Mpps   |   |  |
|                             | Transmission Mode: Store and Forward  |   |  |
|                             | Cache Size: 1M  |   |  |
|                             | Backplane Bandwidth: 10Gbps   |   |  |
|                             | MAC: 8K   |   |  |
|                             | Delay Time: < 4μs   |   |  |
| <b>Ethernet Port</b>        | 10Base-T/100Base-TX/1000Base-TX Self-adaption, Half/full duplex and MDI/MDI-X auto detect |   |  |
| <b>Fiber Port</b>           | 1000Base-X fiber port   |   |  |
| <b>Indicator</b>            | Power Indicator   | PWR   |  |
|                             | Port Indicator  | LINK / ACT  |  |
| <b>Power Supply</b>         | Input Voltage   | DC24V 1A (DC10-58V)   |  |
|                             | Connector   | 6 bit 5.08mm Removable terminal block                                       |  |
|                             | No-load Consumption   | <3W   |  |
|                             | Protection Mechanism  | Overload Protection / Reverse Connection Protection / Redundancy Protection |  |
|                             | Casing: Aluminum-alloy Case   |   |  |
| <b>Mechanical</b>           | IP Grade: IP40 protection   |   |  |
|                             | Dimension: 143*104*48mm( L*W*H )  |   |  |
|                             | Weight: 500g  |   |  |
|                             | Installation: DIN-rail mounting, wall mounting  |   |  |
|                             | Operating Temperature: -40 to 85°C  |   |  |
| <b>Environmental</b>        | Storage Temperature: -40 to 85°C  |   |  |
|                             | Ambient Relative Humidity: 5% to 95% (non-condensing)                                     |   |  |
|                             | CE, FCC, RoHS   |   |  |
| <b>Industry Standards</b>   | Safety  | UL508   |  |
|                             | EMI   | FCC CFR47 Part 15, EN55022/CISPR22, Class A                                 |  |
|                             | EMS   | IEC61000-4-2(ESD) ±8kV(contact), ±15kV(air)                                 |  |
|                             |   | IEC61000-4-3(RS) 10V/m(80MHz-2GHz)  |  |
|                             |   | IEC61000-4-4(EFT) Power Port: ±4kV, Data Port: ±2kV                         |  |
|                             |   | IEC61000-4-5(Surge) Power Port: ±2kV/DM, ±4kV/CM, Data Port: ±2kV           |  |
|                             |   | IEC61000-4-6(CS) 3V(10kHz-150kHz), 10V(150kHz-80MHz)                        |  |
|                             | Machinery   | IEC60068-2-6 ( Vibration )  |  |
|                             |   | IEC60068-2-27 ( Shock )   |  |
| IEC60068-2-32 ( Free Fall ) |   |   |  |
| <b>Warranty</b>             | 5-years   |   |  |

**Dimension**



**Order Information**

| Model No.         | Description of Goods                        |
|-------------------|---|
| <b>Dual Fiber</b> |   |
| BSD-IGS0104SC     | Multimode, Dual Fiber, 550m, SC connector   |
| BSD-IGS0104ST     | Multimode, Dual Fiber, 550m, ST connector   |
| BSD-IGS0104-20    | Single Mode, Dual Fiber, 20Km, SC connector |
| BSD-IGS0104GSFP   | Dual Fiber SFP Slot connector               |
| BSD-SFPGLC(SX)D   | Multimode Gigabit SFP 850nm 550m Distance   |
| BSD-SFPGLC(LX)D   | Singlemode Gigabit SFP 1310nm 20km Distance |