

BSD-IES-0104FT Series

5-port Unmanaged Industrial Ethernet Switch, with 1-port 100Base(SC/LC) and 4-port 10/100Base-T(x)

Features



- Support 1 100Base(SC/LC) and 4 10/100Base-T(x) Ethernet ports.

- Support IEEE802.3, IEEE802.3u, IEEE802.3x.

- Plug-and-play, 10/100M, F/H duplex, MDI/MDI-X auto negotiation.

- Industrial lightning chip design, up to 8KV effective against lightning, avoiding electrostatic induction.

- Redundant 10-58VDC power input, reverse connection protection.

- Industrial grade design, -40-85°C work temperature.

- IP40 protection grade, DIN rail mounted.



Introduction

BSD-IES-0104FT series are a smart plug-and-play industrial Ethernet switch, which can provide economical solution for your Ethernet. Its dustproof fully sealed structure (IP40 protection grade), over-current, over-voltage and EMC protected, redundant double power input as well as built-in intelligent alarm design can help system main tenancy personnel monitor the network operation, which can work reliably in harsh and dangerous environment.

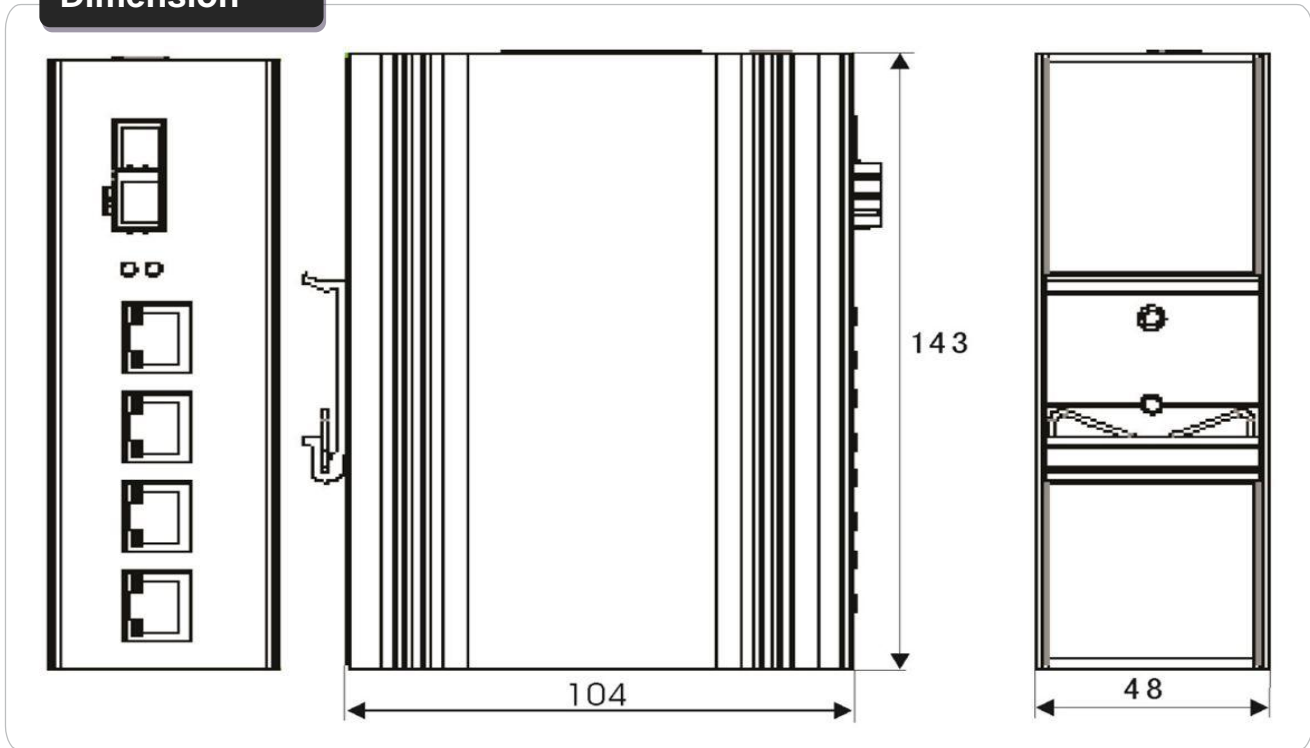
BSD-IES-0104FT supports 1 port 100Base(SC/LC) and 4 port 10/100Base-T(X), Full/Half duplex mode, and auto MDI/MDI-X connection. It supports CE, FCC, RoHS standard, rugged high-strength metal case, power supply input (10-58VDC). The switch support IEEE802.3/ IEEE802.3u/ IEEE802.3x with 10/100M, full/half-duplex, and MDI/MDI-X auto-sensing, the -40~85°C working temperature, can meet all kinds of Industrial environment requirement, providing reliable and economic solution for your industrial Ethernet

network.

Specification

Protocol Standard	Standard: Support IEEE802.3, IEEE802.3u, IEEE802.3x		
	Flow control: IEEE802.3x flow control, back press flow control		
Performance	Forwarding Rate: 0.744Mpps		
	Transmission Mode: Store and Forward		
	Cache Size: 512K		
	Backplane Bandwidth: 1Gbps		
	MAC: 1K		
	Delay Time: < 3μs		
Ethernet Port	10Base-T/100Base-TX Self-adaption, Half/full duplex and MDI/MDI-X auto detect		
Fiber Port	100Base-X fiber port		
Indicator	Power Indicator	PWR	
	Port Indicator	LINK / ACT	
Power Supply	Input Voltage	DC24V 1A (DC10-58V)	
	Connector	6 bit 5.08mm Removable terminal block	
	No-load Consumption	<3W	
	Protection Mechanism	Overload Protection / Reverse Connection Protection / Redundancy Protection	
	Casing: Aluminum-alloy Case		
Mechanical	IP Grade: IP40 protection		
	Dimension: 143*104*48mm (L*W*H)		
	Weight: 500g		
	Installation: DIN-rail mounting, wall mounting		
	Operating Temperature: -40 to 85°C		
Environmental	Storage Temperature: -40 to 85°C		
	Ambient Relative Humidity: 5% to 95% (non-condensing)		
	CE, FCC, RoHS		
Industry Standards	Safety	UL508	
	EMI	FCC CFR47 Part 15, EN55022/CISPR22, Class A	
	EMS	IEC61000-4-2(ESD) ±8kV(contact), ±15kV(air)	
		IEC61000-4-3(RS) 10V/m(80MHz-2GHz)	
		IEC61000-4-4(EFT) Power Port: ±4kV, Data Port: ±2kV	
		IEC61000-4-5(Surge) Power Port: ±2kV/DM, ±4kV/CM, Data Port: ±2kV	
		IEC61000-4-6(CS) 3V(10kHz-150kHz), 10V(150kHz-80MHz)	
	Machinery	IEC60068-2-6 (Vibration)	
		IEC60068-2-27 (Shock)	
IEC60068-2-32 (Free Fall)			
Warranty	5-years		

Dimension



Order Information

Model No.	Description of Goods
Dual Fiber	
BSD-IES-0104SC	Multimode, Dual Fiber, 2Km, SC connector
BSD-IES-0104SC-20	Single Mode, Dual Fiber, 20Km, SC connector
BSD-IES-0104LC	BSD 4 Port 10/100 + 1 LC SFP Slot